



FL61



FL62

Application- Ideal for use on Building Perimeters, Security, Signs, Displays, Residential, Commercial & Entrance, etc.

Specification & features

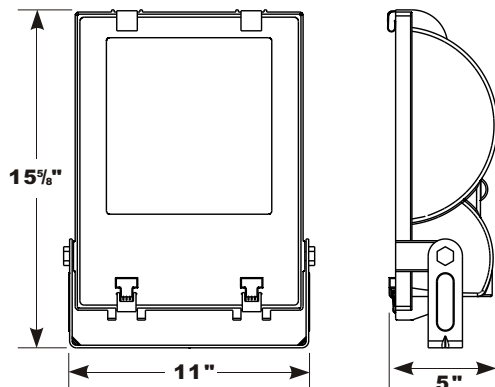
- Sturdy die-cast aluminum housing & gearbox.
- Ballast in gearbox provides lower temperature housing with longer bulb life.
- Clip-on, hinged type tempered glass lens for easy relamping.
- Polyester powder finish for excellent impact, corrosion and UV resistance.
- Durable U bracket for easy installation and mounting.
- Weatherproof IP44.

FL61/62 Series:

Item No.	Lamp & Wattage	Lamp Base	Voltage	Cap.	Ignitor	Finish	Certified
FL61	MH70W	RX7S/E27	240V	12uf	Sn58	BK/WT	GS/TUV, CE
FL62	MH150W	RX7S/E27	240V	18uf	Sn58	BK	GS/TUV, CE

NOTE : BK = BLACK, WT = WHITE.

FL61



FL62

