



Application:

Ideal for use on outdoor parking lots; roadways, commercial and industrial security lighting.

Specification & features:

- Rigid aluminum die-cast housing and frame.
- Durable polyester powder coating architectural bronze finish.
- Fully tempered glass lens.
- UL1598/CUL listed, Suitable for wet location.

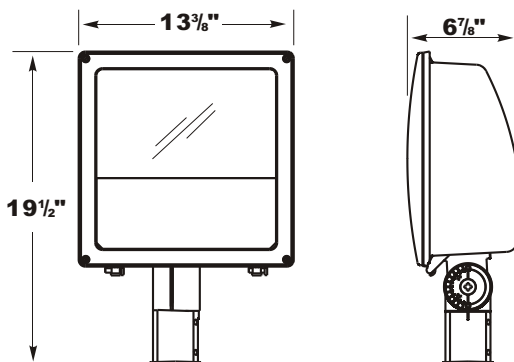
Package Information:

Q'ty / Carton:	1PC
Cuft:	1.3'
N.W. / KGS:	10
G.W. / KGS:	12
Container Q'TY:	40': 1540PCS

FL03 Series:

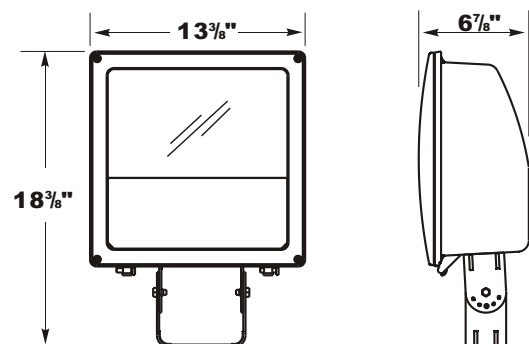
Item No.	Lamp&Watt.	Lamp Base	Voltage	Ballast Type	Finish	Certified
FL03-250MV	MV250W	E39	120/208/240/277V	CWA	Bronze	UL/CUL
FL03-250HPS	HPS250W	E39	120/208/240/277V	CWA	Bronze	UL/CUL
FL03-250MH	MH250W	E39	120/208/240/277V	CWA	Bronze	UL/CUL

FL03



Adjustable Slip Fitter

FL03



Yoke Mount