



QH-300WG

### Applications:

#### QH-300WG/301WG

Ideal for security lighting for the perimeters around office building, warehouse, residential, sign lighting, display lighting and garage entrance.

#### QH-300WG

With low glare design. Suitable for "glare" concern application. Use 2 stainless clips to clamp the tempered glass onto the die-casting housing.

#### QH-301WG

With low glare design. Suitable for "glare" concern application.



QH-301WG

### Specification & features

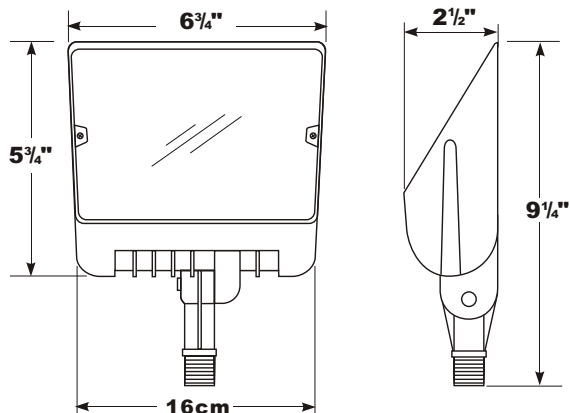
- Rigid aluminum die-cast housing & frame(QH-301WG).
- Special designed heat sink rib to maintain lower operation temperature to maximize the lamp life.
- Durable polyester powder coating finish with Bronze and White color.
- 1/2" NPT die casting swivel arm fits to standard junction box.
- UL1598/CUL listed, Suitable for wet location.

### Quartz Halogen Flood light series:

Item No.	Lamp&Wattage	Lamp Base	Voltage	Ballast Type	Finish	Photocell	Certified
QH-301WG	T-3 300W	R7S	120V	NIL	BN/WT	NIL	UL/CUL
QH-300WG	T-3 300W	R7S	120V	NIL	BN/WT	NIL	UL/CUL

Note: Color BN = Bronze, WT = White.

QH-300WG



QH-301WG

