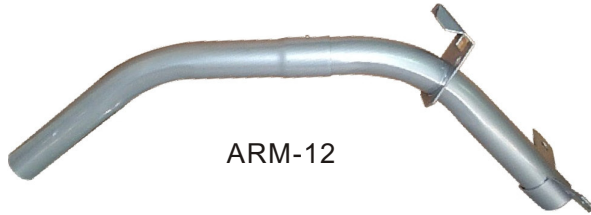




ARM-11



ARM-12



ARM-21



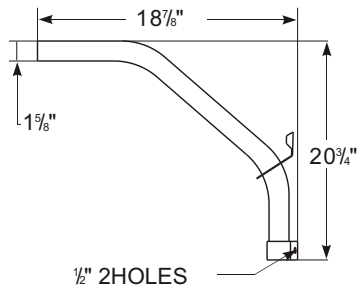
ARM-32

### Accessories of Area light - Extension arm.

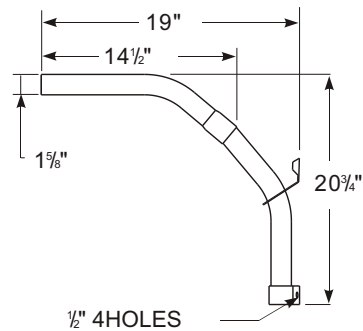
#### Specification and feature.

- Idea to use at Area lighting, Lumincaster HID WM02 and WM03 series.
- 1-5/8" Diameter. Metal pipe with gray polyester powder coating.
- Heavy duty mounting bracket included.
- 2 piece K/D 21" curved arm provide miniaturized package.
- 1-1/4" and 2" mast arm also available if request.
- UL/CUL Listed suitable for wet location.

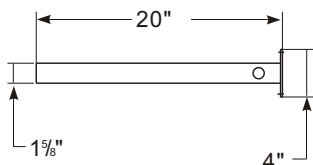
ARM-11



ARM-12



ARM-21



ARM-32

